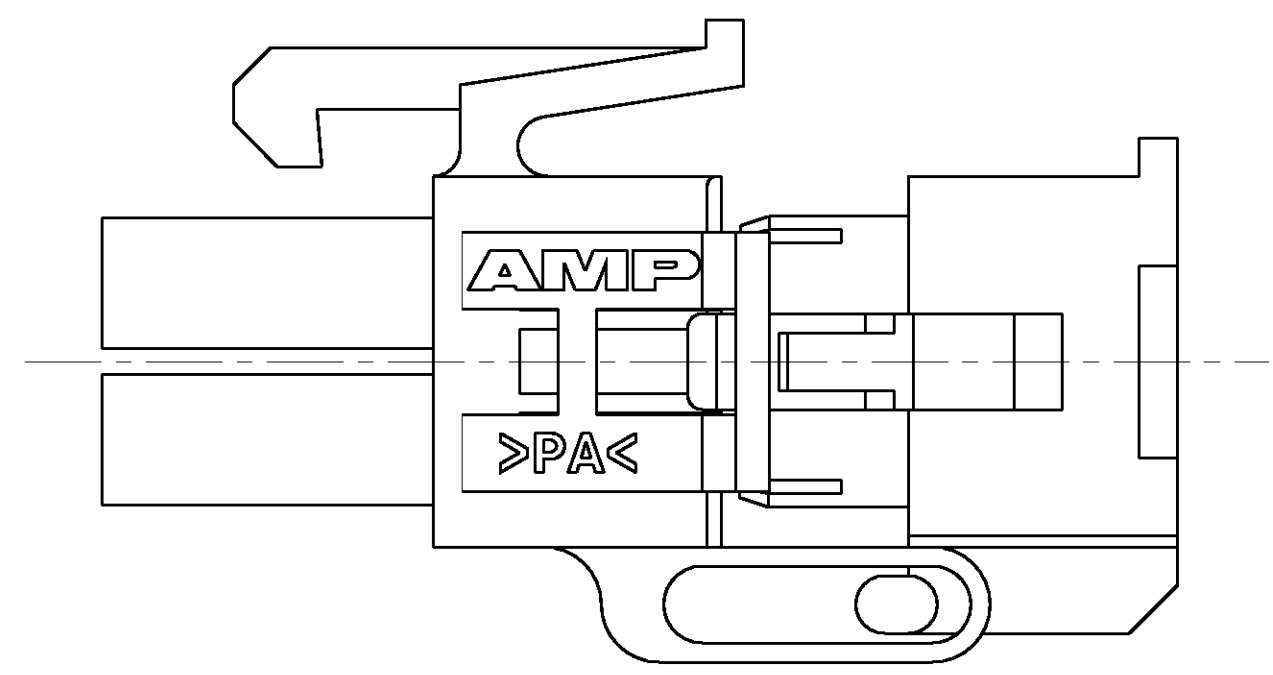
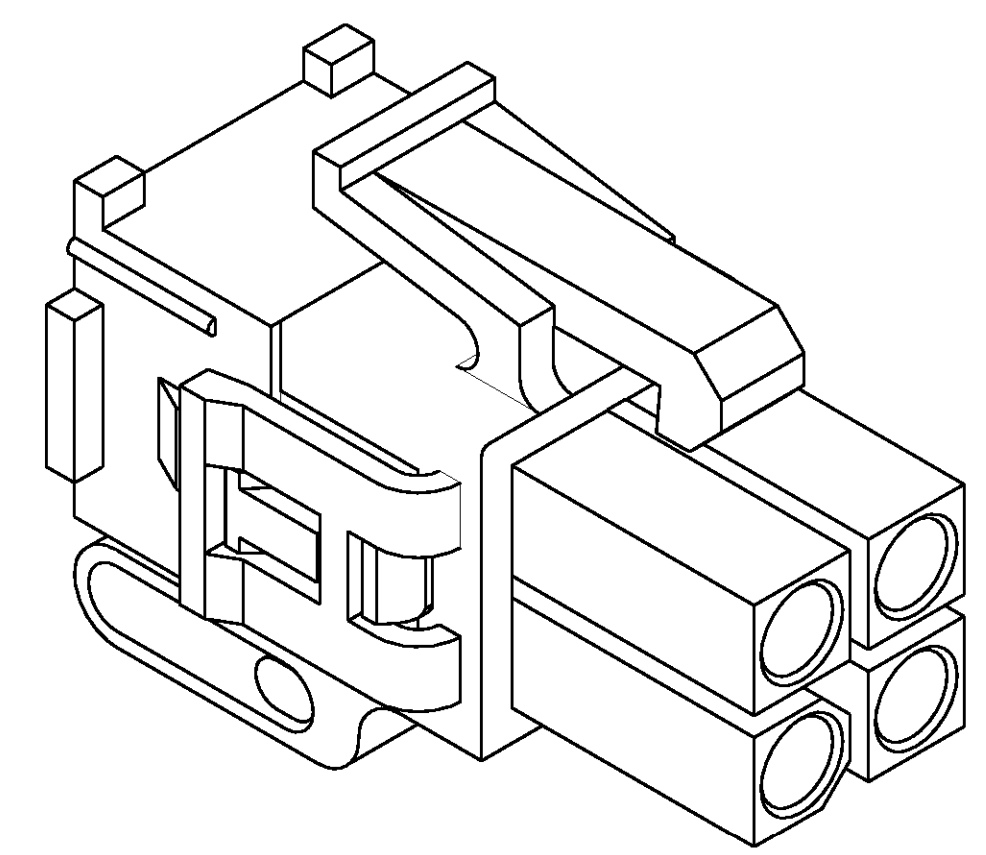
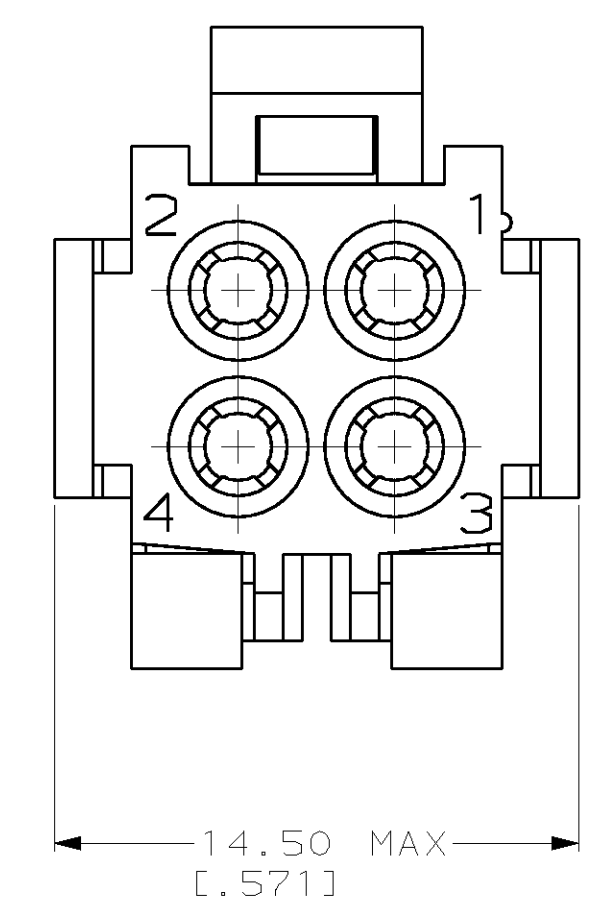
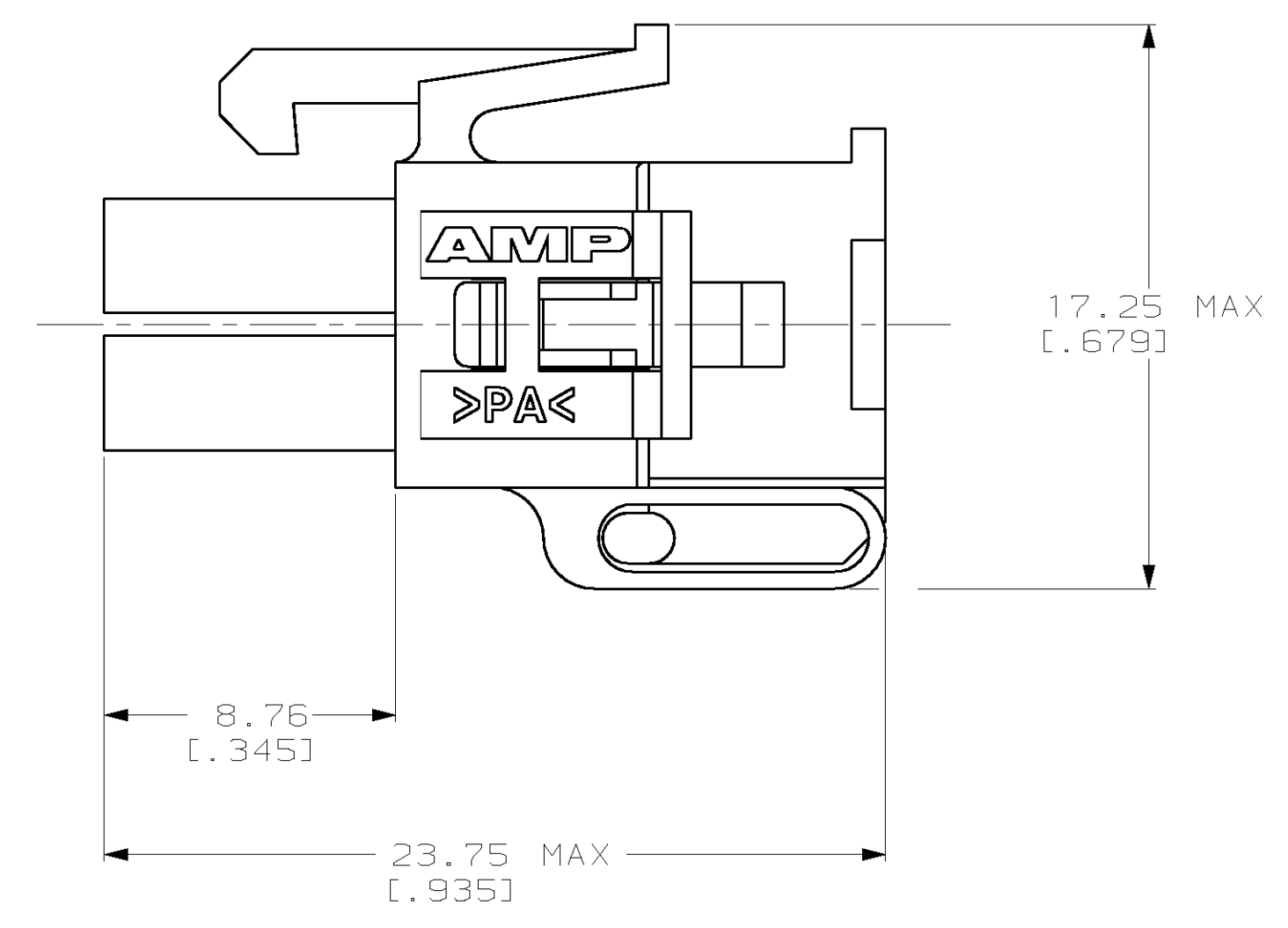
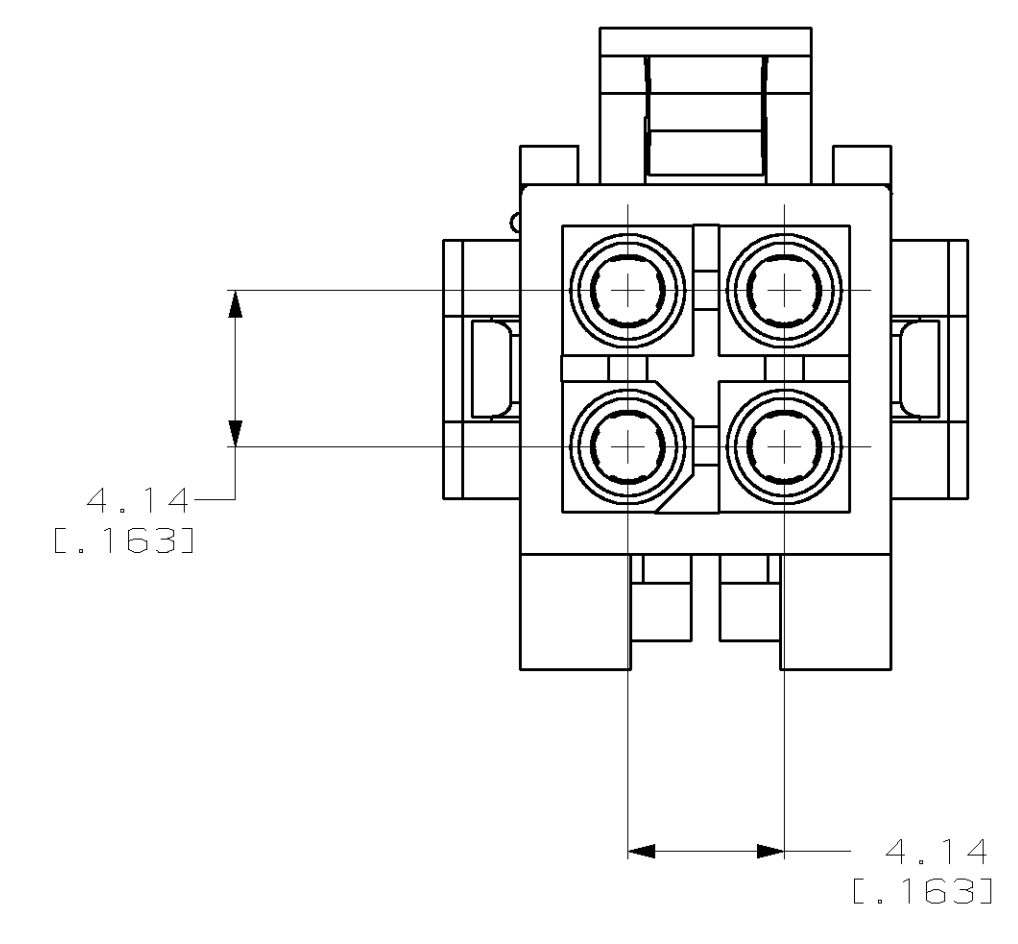


LOC		DIST		REVISIONS			
F	CHR	DATE	BY	CHK	APVD		
B		23-SEP-99	KW	KC			



PRE-STAGED CONDITION

1. DIMENSIONS IN BRACKETS ARE IN INCHES.



3-DIMENSIONAL MODEL
NTS

794241-1
PART NUMBER



THIS DRAWING IS A CONTROLLED DOCUMENT.		DWN K. WHITAKER	5-12-97	AMP AMP Incorporated Harrisburg, PA 17105-3608
		CHK R. SWING	5-12-97	
DIMENSIONS:		APVD S. ORSTAD	5-12-97	NAME PLUG, 4 CIRCUIT, MINI UNIVERSAL MATE-N-LOK™ 2
TOLERANCES UNLESS OTHERWISE SPECIFIED:		PRODUCT SPEC		
mm	0 PLC ±	APPLICATION SPEC		SIZE CAGE CODE DRAWING NO RESTRICTED TO A1 00779 C-794241 -
	1 PLC ±	WEIGHT		
	2 PLC ±0.13 (0.005)	CUSTOMER DRAWING		SCALE 5:1 SHEET 1 OF 1 REV B
	3 PLC ±			
	4 PLC ±			
	ANGLES			
	FINISH			
MATERIAL	NYLON, UL 94V-2, NATURAL			